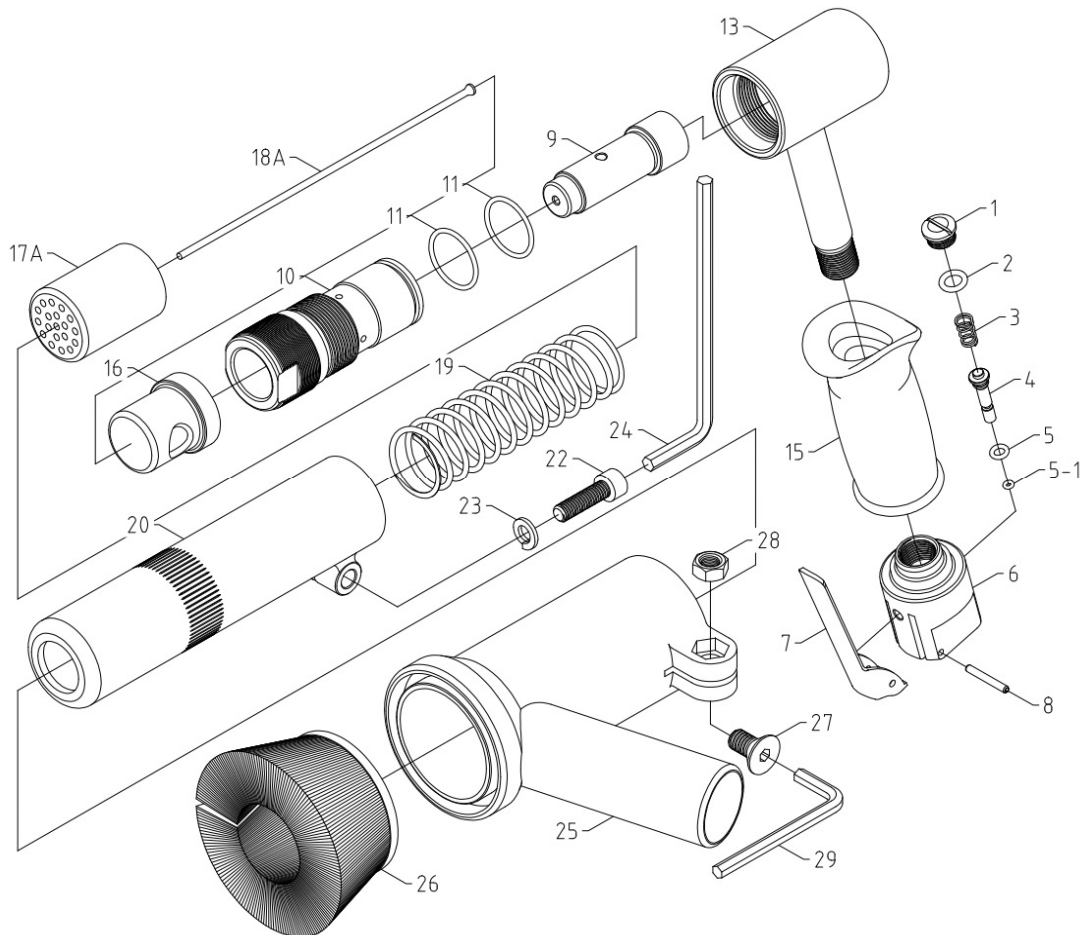


GP-0321A

AIR NEEDLE SCALER w/VACUUM



PART DESCRIPTION

No.

01.	Valve Cap
02.	O-Ring
03.	Valve Spring
04.	Valve Stem
05.	O-Ring- Valve Seat
05-1.	O-Ring
06.	Valve Body
07.	Throttle Lever
08.	Spring Pin
09.	Piston
10.	Cylinder
11.	O-Ring (2)
13.	Handle
15.	Rubber Grip
16.	Anvil

PART DESCRIPTION

No.

17A.	Needle Holder 3mm
17B.	Needle Holder 2mm
18A.	Needle Set (19pcs) 3mm
18B.	Needle Set (29pcs) 2mm
19.	Compression Spring
20.	Intermediate Tube
22.	Cap Head Screw
23.	Spring Washer
24.	Hex Wrench
25.	Dust Shroud
26.	Brush
27.	Cap Head Screw
28.	Nut
29.	Hex Wrench